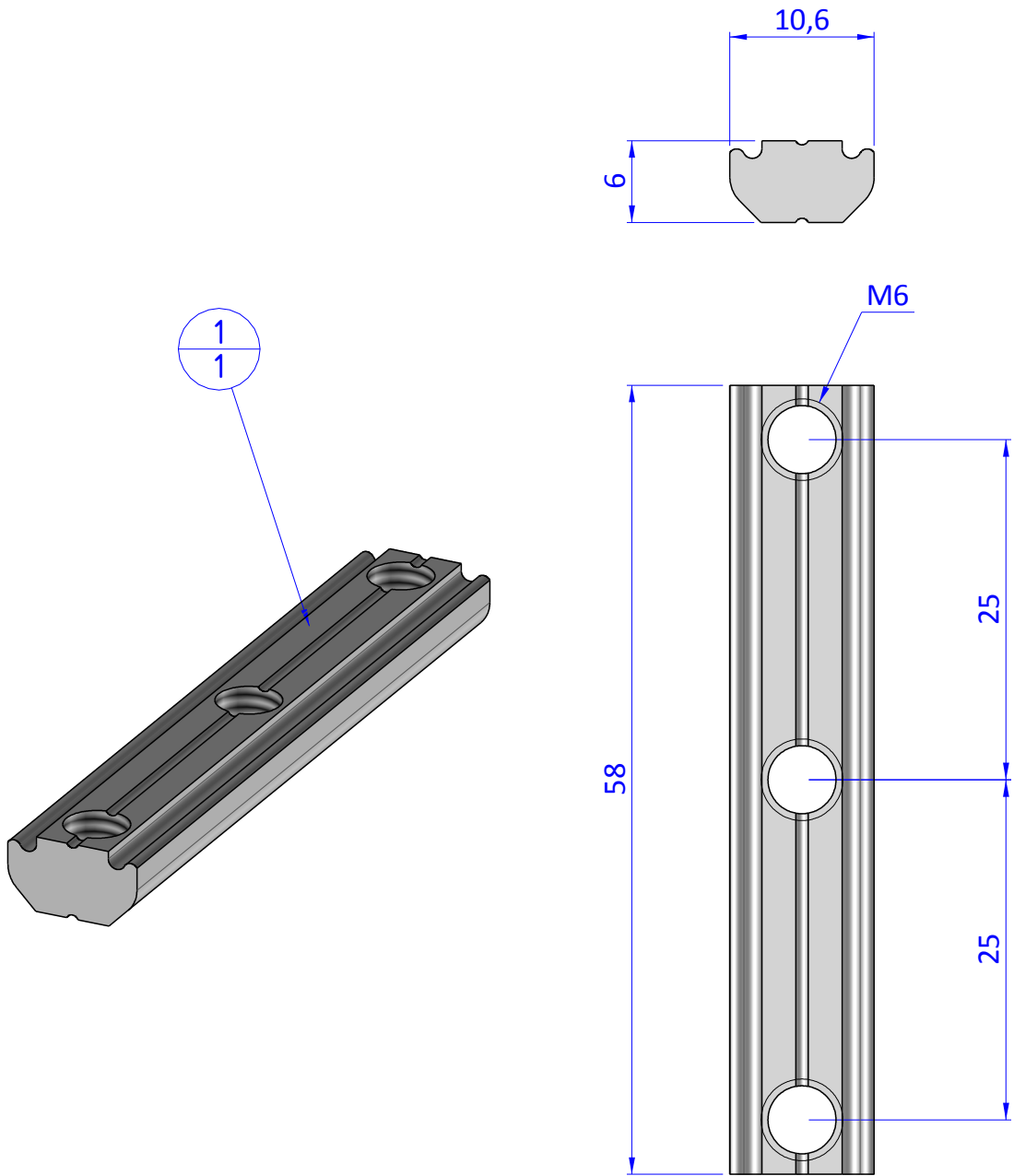


THE PROPERTY OF THE DRAWING IS ESTABLISHED BY LAW. IT IS FORBIDDEN TO PRODUCE OR SHOW IT TO THIRD PART. WITHOUT A WRITTEN AGREEMENT.

Item	Name	Q.ty
1	GWP.6.25.3	1



<b>Format</b> A4  UNI 936-76					DESIGNED FROM <b>FPSERVICES</b>	REVIEW <b>A</b>
	GENERAL TOLERANCE UNI - ISO 2768 CLASSE f		DESCRIPTION CA.GWP.6.25.3		DATE 15/10/2018	WEIGHT 0,022kg
					CODE <b>CA.GWP.6.25.3</b>	